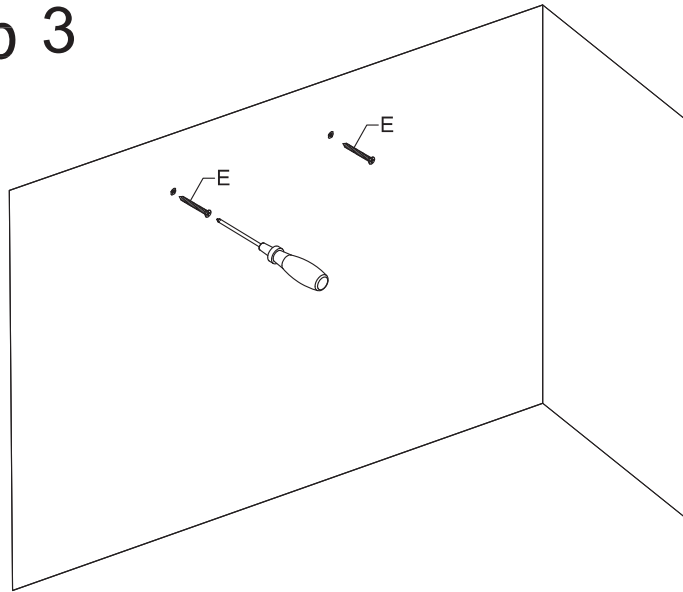
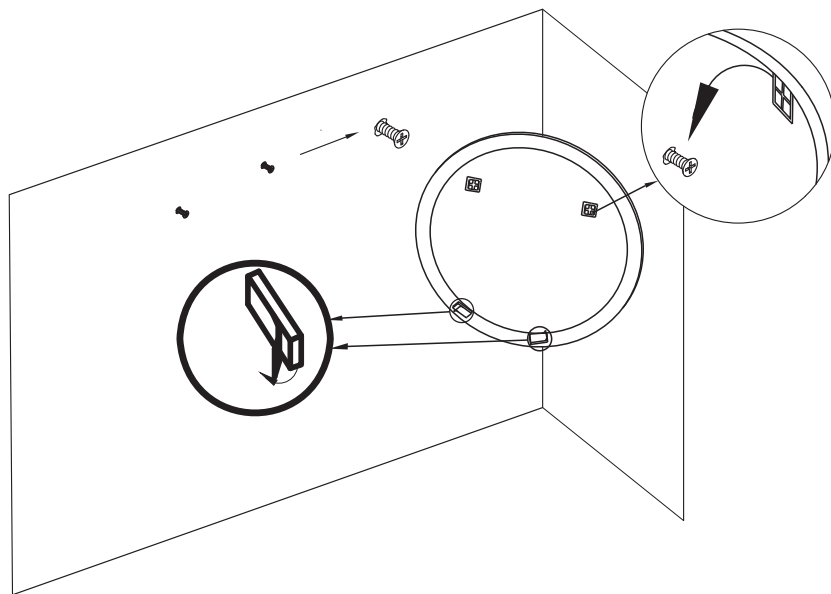


Step 3

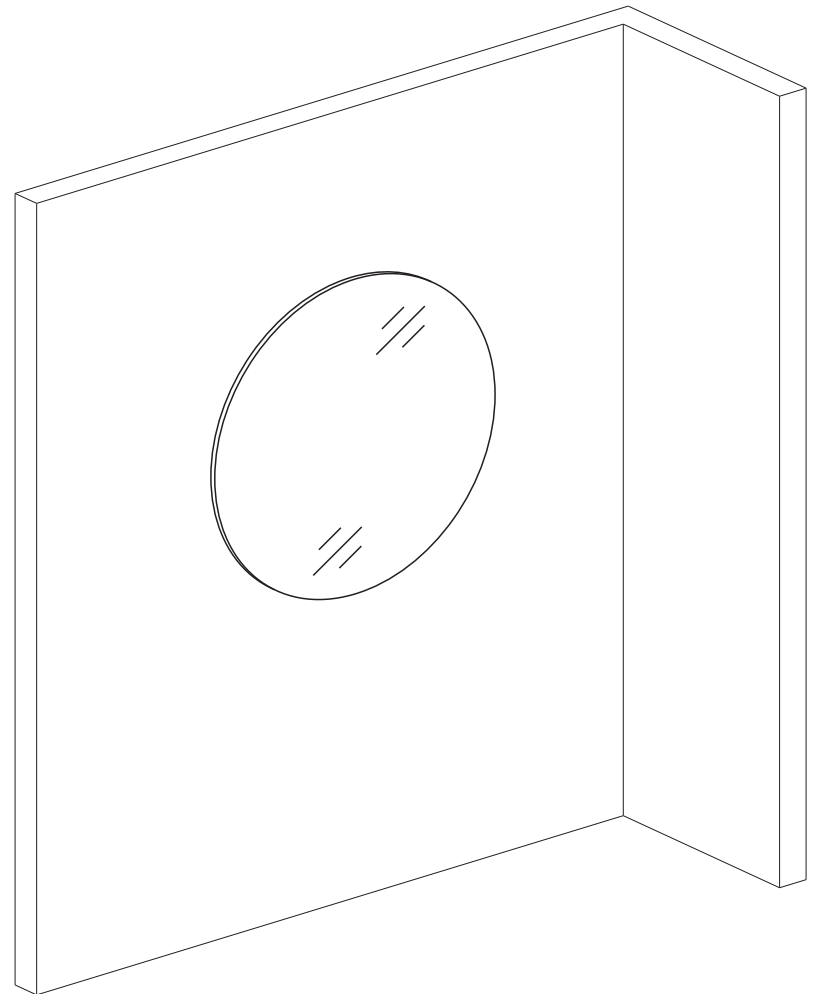


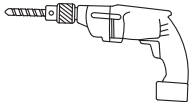
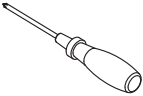
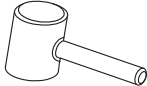
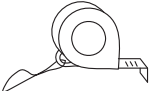

Step 4

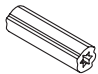
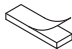



Installation Instruction

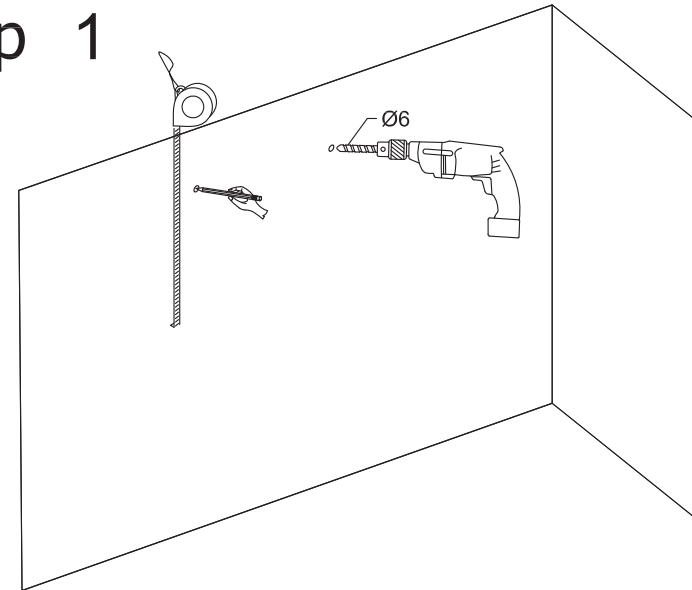
BONA706/50/70/90/110



| Installation tools (Not include) | | | |
|----------------------------------|---|-------------------|---|
| Name | Pic | Name | Pic |
| Electric Drill |  | Cross Screwdriver |  |
| Hammer |  | Tapeline |  |
| Drill 6mm |  | | |

| Sparements | | | | | | | |
|---|------|--|-----|----------------------------------|------|---|-----|
| Name | Code | Pic | Qty | Name | Code | Pic | Qty |
| Plastic expand screw $\varnothing 7$ | D |  | 2 | Double faced adhesive tape(50mm) | F |  | 2 |
| Self-tapping screw ($\varnothing 4*35$) | E |  | 2 | | | | |

Step 1



Step 2

